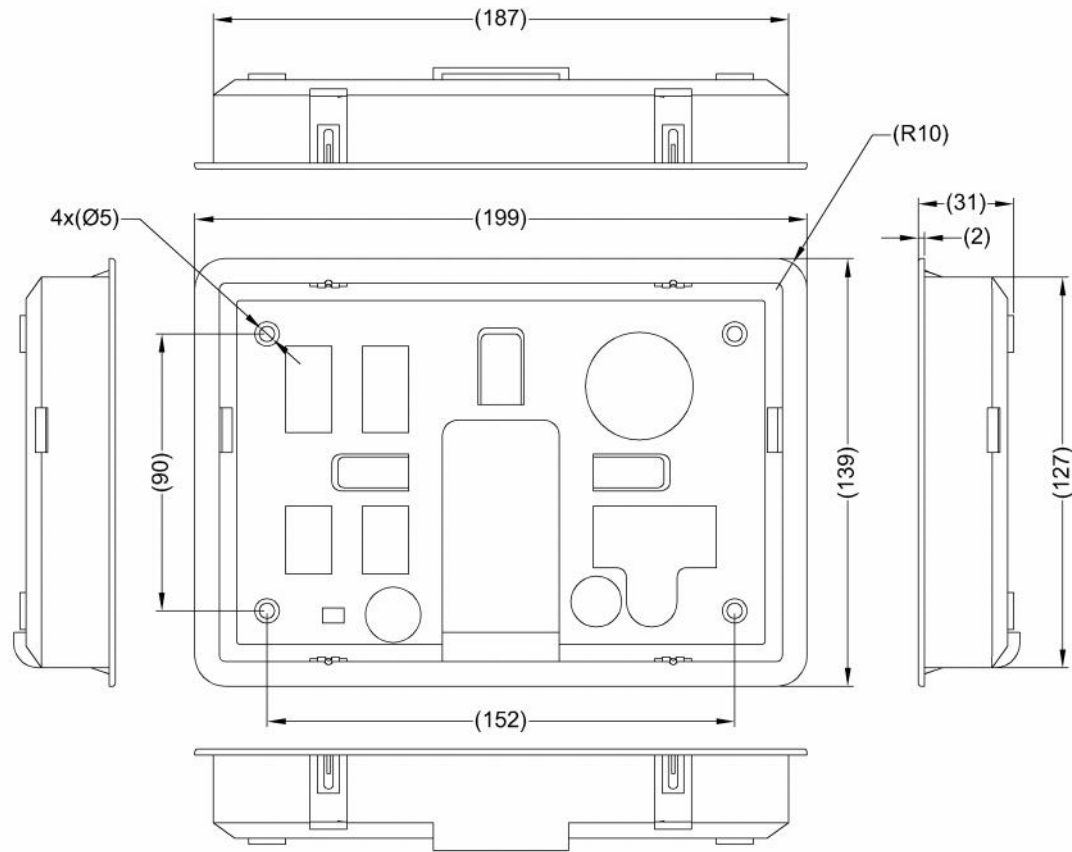


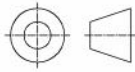
Revision Notes.			
1. PRODUCT PACKAGING DETAIL ADDED. DIMENSIONS UPDATED.			
Checked By: L.B	Approved By: D.K	Date Released: 22/02/12	



- NOTES:**
1. DIMENSIONS IN MM.
 2. MATERIAL: ABS PLASTIC.
 3. FINISH: SOFT TOUCH BLACK PAINT.
 4. DIMENSIONS ARE NOMINAL.
 5. MOUNT TO BE SUPPLIED IN A CLEAR PLASTIC BAG WITH GIFT BOX LABEL.
 6. FOR GIFT BOX LABEL REFER TO LATEST REVISION OF DRAWING BE-001911-XX-12.

PROPRIETARY NOTICE
 THIS DESIGN AND TECHNICAL INFORMATION APPEARING ON THIS DRAWING IS THE PROPERTY OF BRIGADE ELECTRONICS, AND IS DISCLOSED IN CONFIDENCE. IT IS NOT TO BE COPIED, REPRODUCED, REVEALED TO OR EXPROPRIATED BY OTHERS, EITHER IN WHOLE OR IN PART WITHOUT THE EXPRESS WRITTEN CONSENT OF BRIGADE ELECTRONICS.

BRIGADE®
 www.brigade-electronics.com

Assembly Pl Approval Xinyu Huang(21/02/12)	Approved by D.KERAI	Checked by B.CHILDS	Drawn by M.BUTLER
Angle of Projection 	Units mm	Scale N/A	Released 18/06/10
	Status RELEASED	Assembly Ref M0127	
	Stock Code 3196	BMM-017 BE-001090-01-10	